



Carron

SIMPLY SOME OF THE FINEST
STOVES AVAILABLE



Gun Metal/Black Cast Iron Stove

Shown (4.7kw) BHC301

Also available:
Smoke Exempt Model (7.3kw) BHC101
Smoke Exempt Model (4.7kw) BHC501



Cream Enamel Cast Iron Stove

Shown (4.7kw) BHC306

Also available:
Smoke Exempt Model (7.3kw) BHC106
Smoke Exempt Model (4.7kw) BHC506



Black Enamel Cast Iron Stove

Shown Smoke Exempt Model (7.3kw) BHC102

Also available: (4.7kw) BHC302
Smoke Exempt Model (4.7kw) BHC502



Green Enamel Cast Iron Stove

Shown Smoke Exempt Model (7.3kw) BHC104

Also available: (4.7kw) BHC304
Smoke Exempt Model (4.7kw) BHC504



Red Enamel Cast Iron Stove
Shown (4.7kw) BHC303

Also available:
 Smoke Exempt Model (7.3kw) BHC103
 Smoke Exempt Model (4.7kw) BHC503



Pebble Enamel Cast Iron Stove
Shown (4.7kw) BHC316

Also available:
 Smoke Exempt Model (7.3kw) BHC116
 Smoke Exempt Model (4.7kw) BHC506

STOVE FEATURES - 4.7kw

APPROVED FOR USE IN SMOKE EXEMPT ZONES when burning wood

76% EFFICIENT when burning wood

SECONDARY AIR INLET for cleaner glass and improved combustion

MULTI FUEL GRATE

NO ADDITIONAL ROOM VENTILATION NEEDED

EXTERNAL RIDDLE GRATE mechanism with removable handle

ADJUSTABLE DOOR HANDLE to allow for fire rope compression

AVAILABLE IN 6 ENAMEL FINISHES as well as standard Matt Black

3 PIECE FIRE CLAY BRICK lined inner

LARGE FLAME PICTURE WINDOW



Blue Enamel Cast Iron Stove
Shown Smoke Exempt Model (7.3kw) BHC105

Also available (4.7kw) BHC305
 Smoke Exempt Model (4.7kw) BHC505



Antique Enamel Cast Iron Stove
Shown Smoke Exempt Model (7.3kw) BHC107

Only available in 7.3kw

STOVE FEATURES - 7.3kw

APPROVED FOR USE IN SMOKE EXEMPT ZONES when burning wood

79.3% EFFICIENT when burning wood

SECONDARY AIR INLET for cleaner glass and improved combustion

TOP OR REAR flue options

ADJUSTABLE FEET to allow levelling of stove

EXTERNAL RIDDLE GRATE mechanism with removable handle

ADJUSTABLE DOOR HANDLE to allow for fire rope compression

AVAILABLE IN 7 ENAMEL FINISHES as well as standard Matt Black

3 PIECE FIRE CLAY BRICK lined inner

LARGE FLAME PICTURE WINDOW



Black Enamel Cast Iron Stove

Dante (5kw) BHC202
Smoke Exempt Model (5kw) BHC402



Gun Metal/Black Cast Iron Stove

Dante (5kw) BHC201
Smoke Exempt Model (5kw) BHC401



Pebble Enamel Cast Iron Stove

Dante (5kw) BHC216
Smoke Exempt Model (5kw) BHC416



Blue Enamel Cast Iron Stove

Dante (5kw) BHC205
Smoke Exempt Model (5kw) BHC405



Green Enamel Cast Iron Stove

Dante (5kw) BHC204
Smoke Exempt Model (5kw) BHC404



Red Enamel Cast Iron Stove

Dante (5kw) BHC203
Smoke Exempt Model (5kw) BHC403



STOVE FEATURES - Dante

APPROVED FOR USE IN SMOKE EXEMPT ZONES when burning wood

76.9% EFFICIENT when burning wood

SECONDARY AIR INLET for cleaner glass and improved combustion

MULTI FUEL GRATE

NO ADDITIONAL ROOM VENTILATION NEEDED

EXTERNAL RIDDLE GRATE mechanism with removable handle

ADJUSTABLE DOOR HANDLE to allow for fire rope compression

AVAILABLE IN 6 ENAMEL FINISHES as well as standard Matt Black

3 PIECE FIRE CLAY BRICK lined inner

LARGE FLAME PICTURE WINDOW

Cream Enamel Cast Iron Stove

Dante (5kw)

BHC206

Smoke Exempt Model

BHC406

Stove Pipes



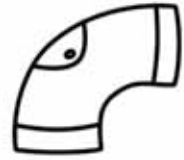
**90° Swept Elbow
- No Door**

	5" ø	6" ø
Matt Black	PFS109	PFS115
Black Enamel	PFS110	PFS116
Red Enamel	PFS111	PFS117
Green Enamel	PFS112	PFS118
Blue Enamel	PFS113	PFS119
Cream Enamel	PFS114	PFS120



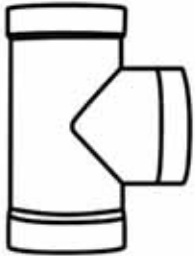
**130° Swept Elbow
- No Door**

	5" ø	6" ø
Matt Black	PFS121	PFS127
Black Enamel	PFS122	PFS128
Red Enamel	PFS123	PFS129
Green Enamel	PFS124	PFS130
Blue Enamel	PFS125	PFS131
Cream Enamel	PFS126	PFS132



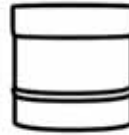
**90° Swept Elbow
- With Door**

	5" ø	6" ø
Matt Black	PFS133	PFS139
Black Enamel	PFS134	PFS140
Red Enamel	PFS135	PFS141
Green Enamel	PFS136	PFS142
Blue Enamel	PFS137	PFS143
Cream Enamel	PFS138	PFS144



**Standard Tee With Branch
Spigot**

	5" ø	6" ø
Matt Black	PFS145	PFS151
Black Enamel	PFS146	PFS152
Red Enamel	PFS147	PFS153
Green Enamel	PFS148	PFS154
Blue Enamel	PFS149	PFS155
Cream Enamel	PFS150	PFS156



6" Straight Join

	5" ø	6" ø
Matt Black	PFS001	PFS007
Black Enamel	PFS002	PFS008
Red Enamel	PFS003	PFS009
Green Enamel	PFS004	PFS010
Blue Enamel	PFS005	PFS011
Cream Enamel	PFS006	PFS012



Standard pipe with door

(300mm)	5" ø	6" ø
Matt Black	PFS061	PFS067
Black Enamel	PFS062	PFS068
Red Enamel	PFS063	PFS069
Green Enamel	PFS064	PFS070
Blue Enamel	PFS065	PFS071
Cream Enamel	PFS066	PFS072
(600mm)	5" ø	6" ø
Matt Black	PFS073	PFS079
Black Enamel	PFS074	PFS080
Red Enamel	PFS075	PFS081
Green Enamel	PFS076	PFS082
Blue Enamel	PFS077	PFS083
Cream Enamel	PFS078	PFS084
(900mm)	5" ø	6" ø
Matt Black	PFS085	PFS091
Black Enamel	PFS086	PFS092
Red Enamel	PFS087	PFS093
Green Enamel	PFS088	PFS094
Blue Enamel	PFS089	PFS095
Cream Enamel	PFS090	PFS096
(1000mm)	5" ø	6" ø
Pebble Enamel	BHC088	BHC086
Antique Enamel		BHC084
(1200mm)	5" ø	6" ø
Matt Black	PFS097	PFS103
Black Enamel	PFS098	PFS104
Red Enamel	PFS099	PFS105
Green Enamel	PFS100	PFS106
Blue Enamel	PFS101	PFS107
Cream Enamel	PFS102	PFS108

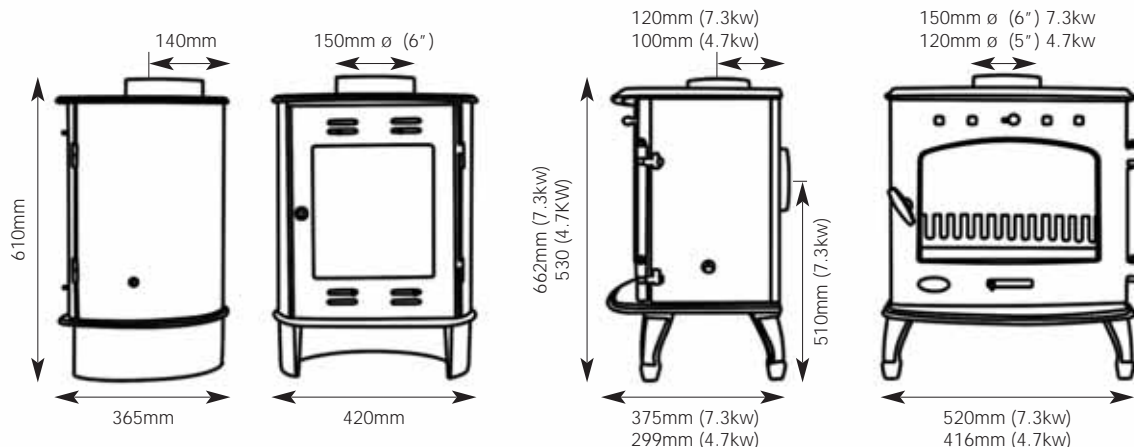


Standard pipe No door

(300mm)	5" ø	6" ø
Matt Black	PFS013	PFS019
Black Enamel	PFS014	PFS020
Red Enamel	PFS015	PFS021
Green Enamel	PFS016	PFS022
Blue Enamel	PFS017	PFS023
Cream Enamel	PFS018	PFS024
(600mm)	5" ø	6" ø
Matt Black	PFS025	PFS031
Black Enamel	PFS026	PFS032
Red Enamel	PFS027	PFS033
Green Enamel	PFS028	PFS034
Blue Enamel	PFS029	PFS035
Cream Enamel	PFS030	PFS036
(900mm)	5" ø	6" ø
Matt Black	PFS037	PFS043
Black Enamel	PFS038	PFS044
Red Enamel	PFS039	PFS045
Green Enamel	PFS040	PFS046
Blue Enamel	PFS041	PFS047
Cream Enamel	PFS042	PFS048
(1000mm)	5" ø	6" ø
Pebble Enamel	BHC087	BHC085
Antique Enamel		BHC083
(1200mm)	5" ø	6" ø
Matt Black	PFS049	PFS055
Black Enamel	PFS050	PFS056
Red Enamel	PFS051	PFS057
Green Enamel	PFS052	PFS058
Blue Enamel	PFS053	PFS059
Cream Enamel	PFS054	PFS060

Dante 5kw

Carron 7.3kw & Carron 4.7kw



	Dante 5kw		Carron 7.3kw		Carron 4.7kw	
	Wood Fuel	Smokeless Fuel	Wood Fuel	Smokeless Fuel	Wood Fuel	Smokeless Fuel
Output	5kw	4.5kw	7.3kw	6.6kw	4.7kw	4.5kw
Efficiency	76.9%	67.7%	79.3%	71.5%	76.0%	69.5%
CO at 13% O2	0.64%	0.46%	0.33%	0.31%	0.63%	0.37%
Flue temperature	268°C	252°C	309°C	279°C	303°C	238°C
Flue gas mass flow	4.0g/s	7.1g/s	5.0g/s	7.4g/s	3.5g/s	6.1g/s
Flue draught	12Pa		12Pa		12Pa	
Weight of stove	70.5kg		89.4kg		55.0kg	
Flue required	6"		6"		5"	
Clearances to:-	Side (mm)	Rear (mm)	Side (mm)	Rear (mm)	Side (mm)	Rear (mm)
Combustibles	400	400	400	500	450	550
Non Combustibles	150	100	150	150	150	100

Warranty

Carron Stoves are supplied with a 3 year stove body and 1 year inner components warranty.

This warranty does not cover items considered consumables. These items include door glass, fire bricks, fire rope and grates. The use of incorrect fuels would invalidate this warranty.

This appliance must be installed by a HETAS engineer. Proof of purchase and certificate of installation would be required in the case of a warranty claim.

Due to limitations of the printing process, colour reproduction of enamel stoves may vary slightly from those shown. Please consult your local stockist for more accurate colour matching.

Occasionally the enamel finish can show a crazing/cracking effect on the surface of the stove during use. This effect will normally lessen as the stove cools and should not be considered a defect. This crazing effect can be made worse by incorrect fuel or over-fueling.

Carron stoves

Few things in life give such simple pleasure as the warmth and character a real wood burning stove brings to a home.

Both classic in design and extremely practical, a Carron stove is an efficient and clean way to enjoy the charm of a solid fuel-real fire.

There really is nothing quite like owning a Carron stove.

Quite simply some of the finest stoves available.



For your nearest stockist:
Freephone 0808 129 2224
www.carron.uk.net

